



T170 COMMERCIAL THERMOSTAT

SMART ENERGY MANAGEMENT



HIGHLIGHTS

- 24 or 110-277 VAC Supply Voltage Selection
- Auto-Staged Fan Available
- Occupancy HVAC Control Input
- Controlled Off Safety Option
- Key Pad Lockout - Partial or Full
- Setback Capability
- 2-pipe/4-pipe Configuration
- Manual or Auto Changeover
- Local or Remote Sensing
- LCD Display with Backlight
- Fahrenheit or Celsius Display

Temperature and Air Control

The T170 brings smart energy management to the hospitality industry, retirement/care facilities, ADA compliance locations and office/public spaces. The T170 is a microprocessor-based, stand-alone digital control that supplies line or low voltage relay control of heat, cool, outside air and up to three fan speeds.

Broad Range of Adjustments

Various configurations can supply staged fan, cycled fan, continuous fan, controlled off and fan coil operation. Energy saving features include range limit adjustment, staged fan, occupancy and setback control. This control includes design features to meet ADA requirements.

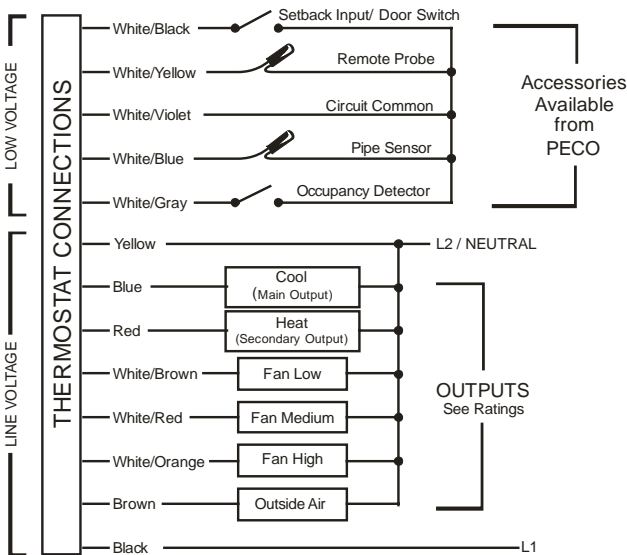
T170 COMMERCIAL THERMOSTAT

TECHNICAL SPECIFICATIONS

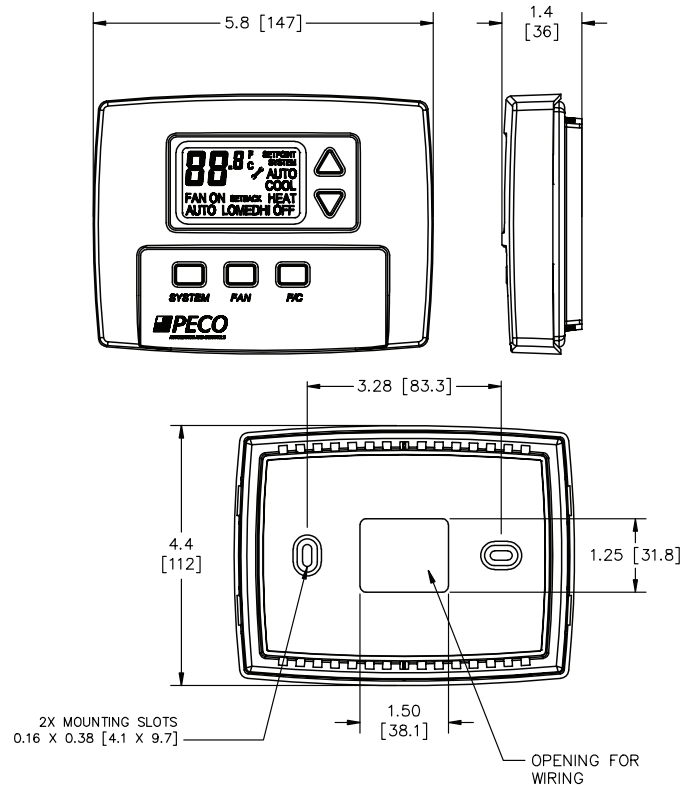
Temperature Range	50 to 90°F / 10 to 32°C factory default, adjustable inward
Maximum Ambient	130°F / 54°C
Load Connections	Wire leads
Mounting	Installs on a standard 4" x 4" (101.6mm x 101.6mm) device box with a 2" x 4" (50.8mm x 101.6mm) horizontal mud ring
Agency Approvals	UL, UL Canada



WIRING DIAGRAM



MOUNTING INSTRUCTIONS



RATINGS

VOLTAGE RATING	INDUCTIVE		RES AMPS	PILOT DUTY	HP
	FLA	LRA			
24 VAC	NA	NA	NA	24 VA	NA
120 VAC	5.8	34.8	6.0	125 VA	1/4
240 VAC	2.9	17.4	5.0	125 VA	1/4
277 VAC	2.4	14.4	4.2	125 VA	1/4

MODEL SELECTION GUIDE

Model	Part Number	Description
TA170-001	68348	Auto-Cool-Heat-Off, 3 Fan Speed
TB170-001	68457	Auto-Cool-Heat-Off, Staged 3 Fan Speed



Automation and Controls
Division of PECO, Inc.
PO Box 82189, Portland, OR 97282

Phone: 800-874-8547 / 503-233-6401
Email: sales@pecomanufacturing.com
www.pecomanufacturing.com

